

TECHNICAL DATA SHEET

RADIAL FAN nr. AFGG-20_02



G&G filtration CZ, s.r.o.

A Hrubínova 1903/9, 66451 Šlapanice, CZ

IČ 05226953 IČ DPH CZ05226953

E info@ggf.cz W www.ggf.cz

ITEM1

Document printed by Aeraulica - Dimensions and performances can be changed without prior notice

Type and characteristics of the requested machine				performance on		Outlet		
Flow rate	1600 [m3/h]	Capacity (Normal)				1491 [Nm3/h]		
Total pressure	2000 [Pa]	Static pressure						
Working fluid temperature	20 [°C]	Fluid specific weight				1.204 [Kg/m3]		
Installation altitude	0 asl [m]	Specific weight std (20 [°C], 0 asl [m])				1.204 [Kg/m3]		
Suggested model and effective characteristics				performance on		Outlet		
Model	RM 350/2-I	Execution	E04	Installation Type	A (free inlet and outlet)			
Fluid specific weight	1.204	1.204 [Kg/m3]		Revolution fan speed		2920 [rpm]		
Total pressure	2028	2028 [Pa]		Orientation		RD 0		
Static pressure	1994	1994 [Pa]		Sound power LwA		98.22 [dB(A)]		
Flow rate	1600	1600 [m3/h]		Sound pressure at mt.1.5 1/2 sf in open field		84.92 [dB(A)]		
Capacity (Normal)	1491	1491 [Nm3/h]		Pipings	s>3mm = +3dB; 1mm<s<3mm = +4,5dB; s<1mm = +6dB			
Power dem. at shaft	1.401	1.401 [kW]		Fan efficiency	Outlet	64.34	%	
Motor power demand	1.401	1.401 [kW]						
Characteristics of chosen motor				Motor efficiency IEC 60034-30			PD ² impeller	
Code	090L02-50/std3	shape	B3	Efficiency	85.9	86.8	86.1	0.5 kgm ²
Rated power	2.2 [kW]	n° poles	2	rpm	2910			PD ² needed 0.5 kgm ²
				Load	100%	75%	50%	PD ² motor 2 kgm ²
ErP 2009/125/CE Regulament (UE) N. 327/2011				Notes				
Efficiency grade	64			N	73.3	Total efficiency	66.35	%
Impeller type	backward blades	Type of test	B/total	Flow rate	2880.82 [m3/h]	Pressure	1691 [Pa]	
NOTE	Performance on Outlet RM 350/2-I - E04 - D=0.355[m] - ρ=1.204[kg/m ³] - T=20[°C] - 0[m]a.s.l.							
Rpm Limit	<=60 °C: 4150 Rpm							
values of the noise of fan obtained in ambient not reverberant with inlet and outlet ducts fully insulated								

TECHNICAL DATA SHEET

RADIAL FAN nr. AFGG-20_02



G&G filtration CZ, s.r.o.

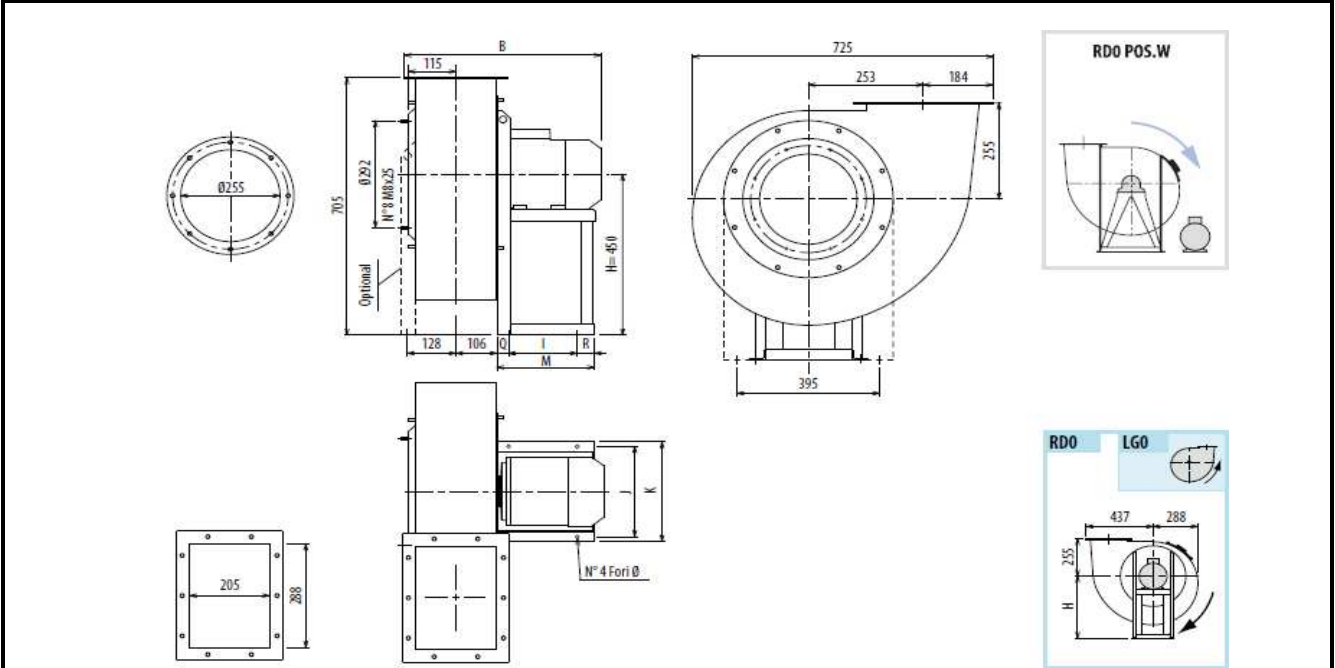
A Hrubínova 1903/9, 66451 Šlapanice, CZ

IČ 05226953 IČ DPH CZ05226953

E info@ggf.cz W www.ggf.cz

ITEM1

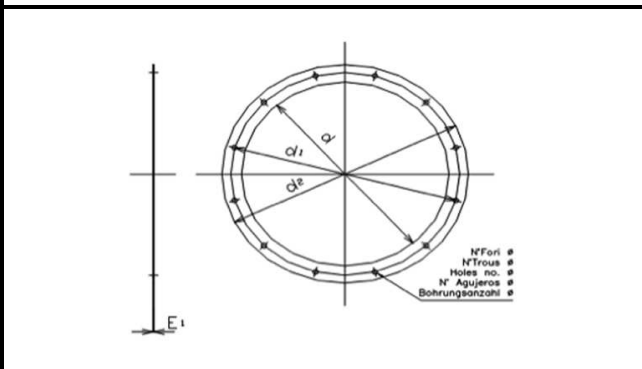
Document printed by Aeraulica - Dimensions and performances can be changed without prior notice



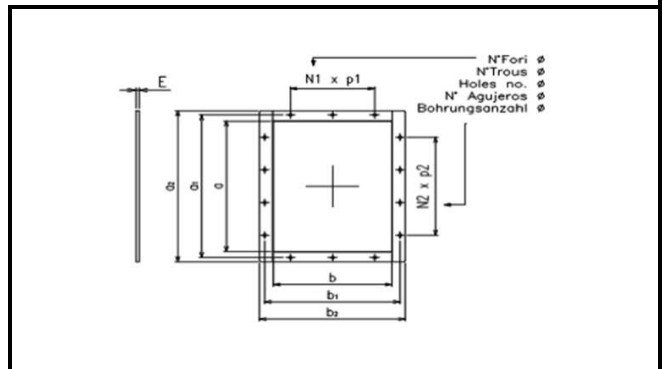
Indicative measures in the standard configuration. For detailed information contact your reference.

Indicative value of weight including standard motor.

B	I	H	H1	H2	J	K	Q	R	M	Φ	PD2	kg
530	133	450	255	450	234	260	58	60	251	10	0,5	70



Cod	dxn°	d1	d2	Φ	E1
0255 A	255x8	292	325	10	4



Cod	axb	a1	b1	a2	b2
0288x0205	288x205	332	249	368	285

N1xp	N2xp	n°	Φ	E
1x125	2x125	10	12	4